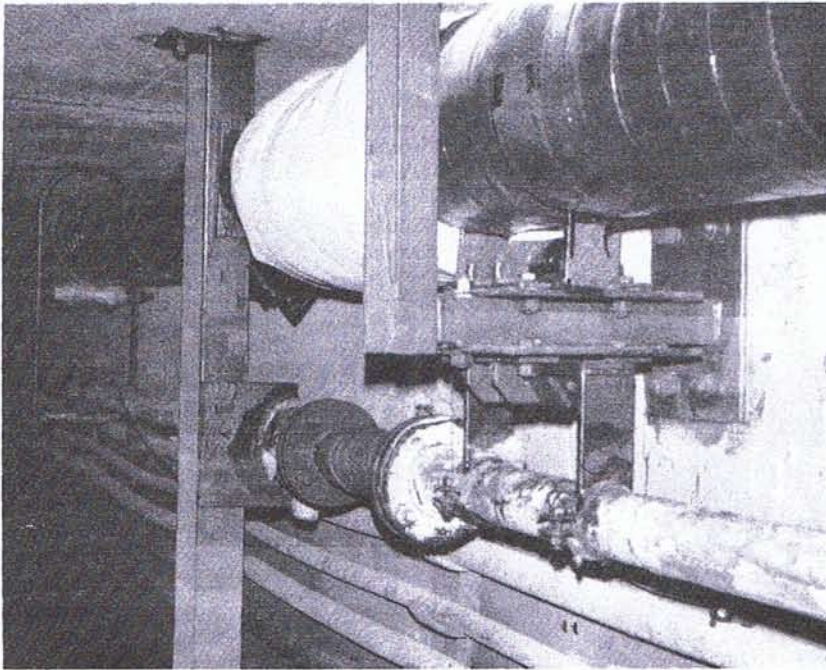
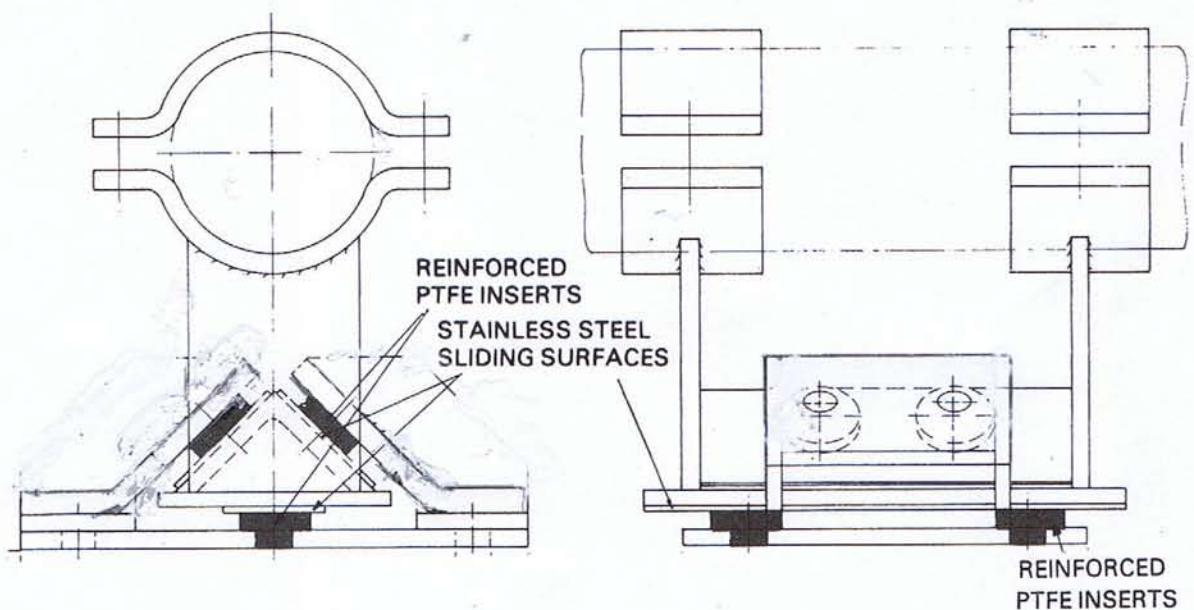


**PIPE SLIDE GUIDE IH 188A**  
(Suitable for pipes up to 150 mm)

Particularly suitable as intermediate guides.  
Horizontal upright mounting only is recommended.



*This illustration showing an anchor, insulated bellows and first main guide on a 150 mm steam and 65 mm condensate line. It indicates how the 188C and 189 series guides due to their design can be mounted upside down as well as the upright position.*



**PIPE SLIDE GUIDE IH 188C** (Suitable for Pipes up to 150 mm)

Multi-service applications (see also insulating sleeves for steam and CHW overleaf).

All 188 and 189 series guides are particularly suitable where preventative maintenance is in doubt. Where cyclic movement is high however, they are designed for interchanging the reinforced PTFE pad in the event of wear, or re-adjustment.