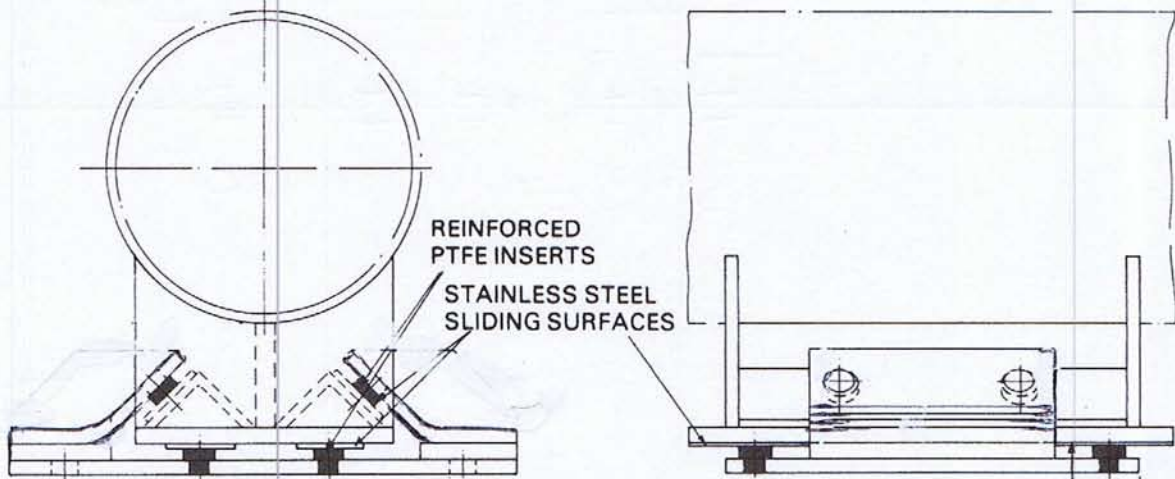


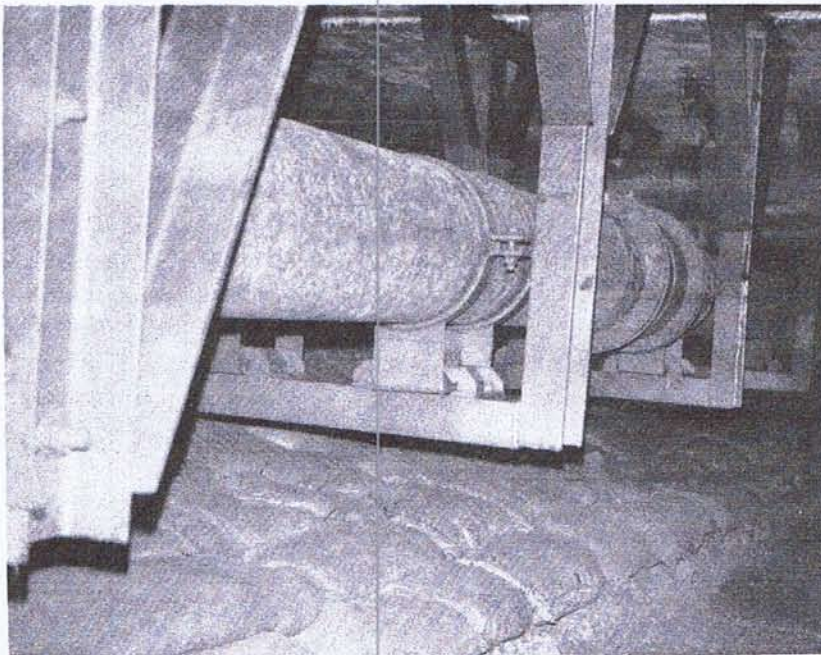
HEAVY SLIDE GUIDE IH 189A

Suitable for large bore pipework 200 mm and above on multi-service applications. (See also insulating sleeves for steam and CHW pipework overleaf). On very large bore pipework it is strongly recommended to consult us.



HEAVY SLIDE GUIDE IH 189C

For welding direct to the pipework application as per 189 A guide



A multi-service installation 300 mm salt water, 250 mm diesel and 150 mm fresh water affected by ambient temperature fluctuations due to length of pipe runs. Illustration showing main anchor, bank of expansion bellows and main guides type 188C and 189A at the correct spacings.