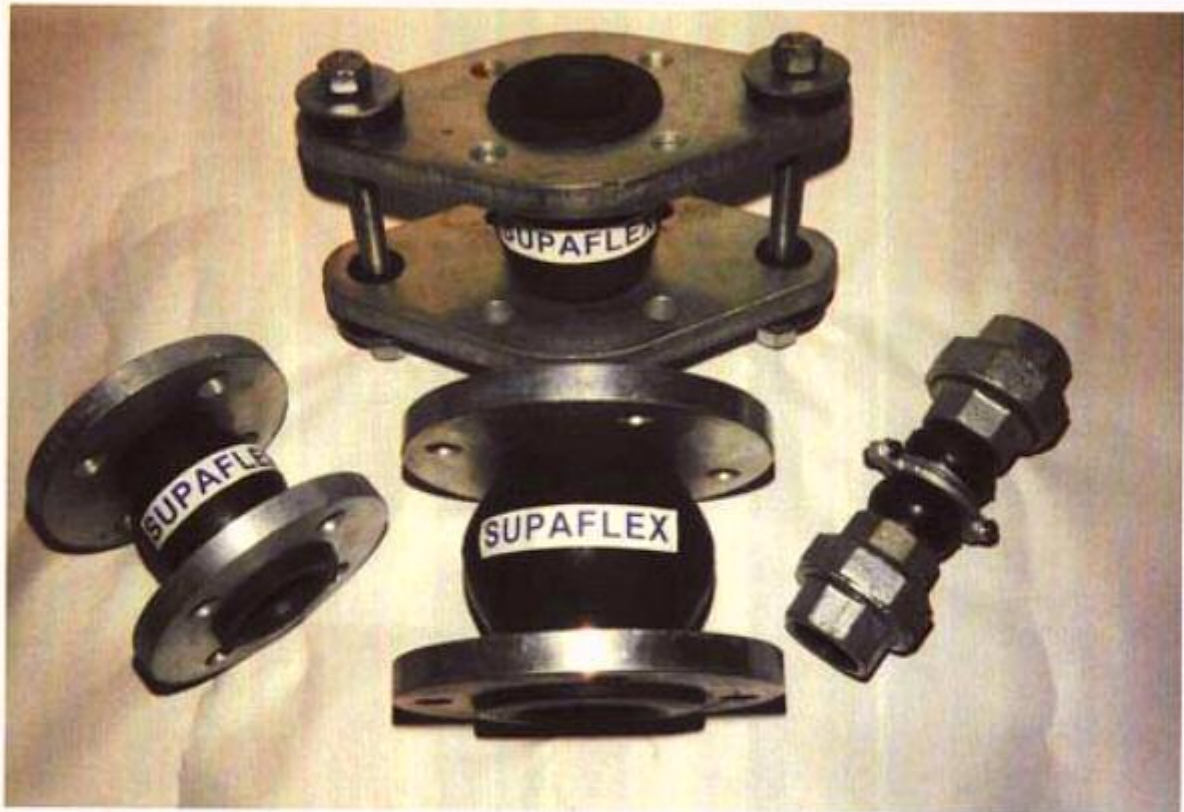
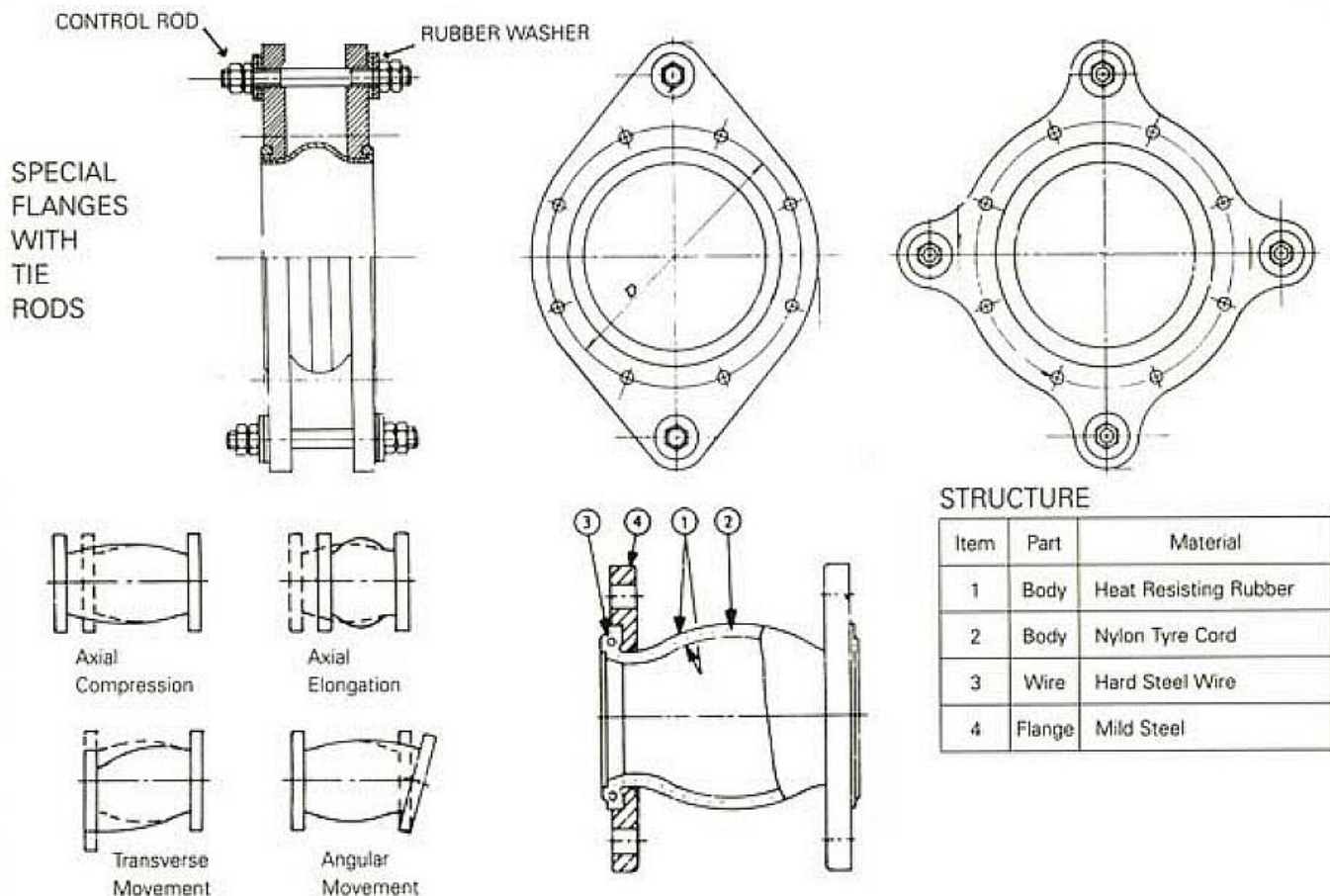


# SUPAFLEX



## FLEXIBLE CONNECTORS FOR PUMPS & EQUIPMENT

Nominal Diameter		Length mm	Movements (mm)				Max. Pressure BarG @ 70 °C
mm	inch		Axial Compress.	Axial Extension	Lateral ±	Angular ±	
32	1¼	130	15	9	14	15°	16
40	1½	130	15	9	14	15°	16
50	2	130	15	9	14	15°	16
65	2½	130	20	9	14	15°	16
80	3	130	20	9	14	15°	16
100	4	130	20	9	14	15°	16
125	5	130	20	9	14	15°	16
150	6	130	20	9	14	15°	16
200	8	130	20	9	14	15°	10
250	10	130	24	15	20	15°	10
300	12	130	24	15	20	15°	10



## SUPAFLEX RUBBER BELLOWS EXPANSION JOINTS

Standard Material : EPDM Rubber  
 Standard Flanges : Zinc Plated Steel  
 PN16 or PN6.

Suitable for : Heating- / Chilled- / Sea- Water  
 Weak Acids & Alkalis  
 Clean Air

Pressure Ratings : 16 BarG @ 70 °C  
 12 BarG @ 80 °C  
 9 BarG @ 90 °C  
 7 BarG @ 95 °C

Temperature Range : -10 to +95 °C

Tie Rods : Required Where Pressure > 6 BarG.  
 Max. Vacuum : -0.6 BarG

Options : Other Flange Drillings  
 Internal Vacuum Rings  
 Food Grade Rubber  
 Oil & Chemical Resistant Rubbers  
 Stainless Steel Flanges

**INTERFLEX**  
**SUPAFLEX**

Cambridge Office : Eddy Warren  
 Tel. : +44 (0)1223 874234  
 Mob. : +44 (0)7798 521063  
 Fax. : +44 (0)1223 874235

Interflex Hose & Bellows Ltd.  
 (SupaFlex Division)  
 Orleton Road  
 Ludlow Business Park  
 Ludlow  
 Shropshire. SY8 1XF.  
 United Kingdom.  
 Tel. : +44 (0)1584 878500  
 Fax. : +44 (0)1584 878115  
 Email : enquiries@supaflex.com  
 Internet : www.supaflex.com